



POWERTRACKER® MPS-6 Industrial & Shipboard Metal Surge Protection Device

MAXIMUM PROTECTION IN A RUGGED METAL HOUSING FOR COMPUTERS AND SENSITIVE ELECTRONICS

EFI's Powertracker MPS-6 surge protection device puts protection where it can do the most good to isolate and protect your most sensitive equipment. The MPS-6 features high quality surge suppression and noise filtration, and can be conveniently installed at any standard power outlet to eliminate disruptive and damaging electrical disturbances.



APPLICATIONS

The PowerTracker MPS-6 surge protection device provides protection for all types of industrial and commercial applications and is specifically approved for US Navy shipboard equipment.

SUPERIOR PERFORMANCE

The MPS-6 utilizes a suppression circuit that provides up to 74,000 amps of surge protection, 1,110 joules, and EMI/RFI noise filtration to provide protection for the most sensitive electronic loads.

SAFETY

The MPS-6 surge protection device meets the latest UL listing for surge protection devices, UL 1449 Second Edition. Not only is the MPS-6 rugged enough for industrial use, it is also US Navy Authorized and a UL Marine 1449 Listed surge and noise protector for Shipboard power. The MPS-6 meets or exceeds CID# A-A-50622.

EASY INSTALLATION

The PowerTracker MPS-6 installs quickly and easily to standard electrical outlets, and its compact design allows it to be used for desktop use or it can be concealed behind or under workstations or furniture.

The MPS-6 comes standard with the mounting flanges that are convenient for bulkhead applications.

FEATURES	ADVANTAGES	BENEFITS
Compact Design	Conveniently installs under or behind furniture	Hides unsightly cord snarls
Red Status LED Indicator	Provides continuous status indicator	Prevents unknown loss of protection
Switch Guard	Protects ON/OFF switch	Prevents accidental shutdown
Aluminum Housing	Sturdy industrial strength	Can be used in exposed areas

Product Specifications

MODELS AVAILABLE

MPS-6

PERFORMANCE

Max. Surge Current	74,000 Amps
EMI/RFI Noise Rejection	up to -70 dB
Continuous Current	15 Amps
Clamping Voltage	330 V
Energy Rating	1,110 Joules
Response Time	Instantaneous
Operating Frequency	50/60/400 Hz
Protection Modes	L-N, L-G, N-G
AC Power Cord	6 ft.
Safety Fusing	UL 1449 Thermal Fusing
Let-through Voltage	< 10 V
Operating Temperature	-10° to +60° C
Sine Wave Tracking	Yes


MECHANICAL DESCRIPTION

Dimensions	14.25" (L) x 2.6" (W) x 2.1" (H)
Weight	1 lb. 12 oz.
Housing	Rugged anodized aluminum
Receptacles	6, NEMA 5-15R
Circuit Type	High Energy, Multi-Stage Hybrid

DIAGNOSTICS

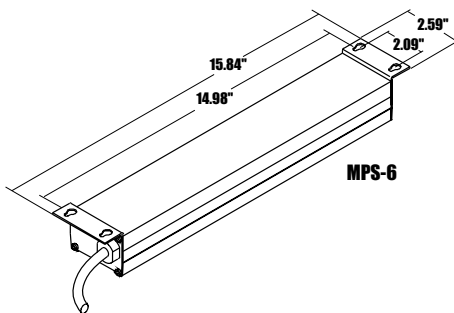
Red Status LED	Indicates ground and power protection
----------------	---------------------------------------

SAFETY APPROVALS

 US 1449 2nd Edition

WARRANTY

Product	Lifetime
---------	----------



EFI Electronics Corporation
1-800-877-1174
efinet.com

© 2003 EFI Electronics Corporation All Rights Reserved
DS039A 03/03