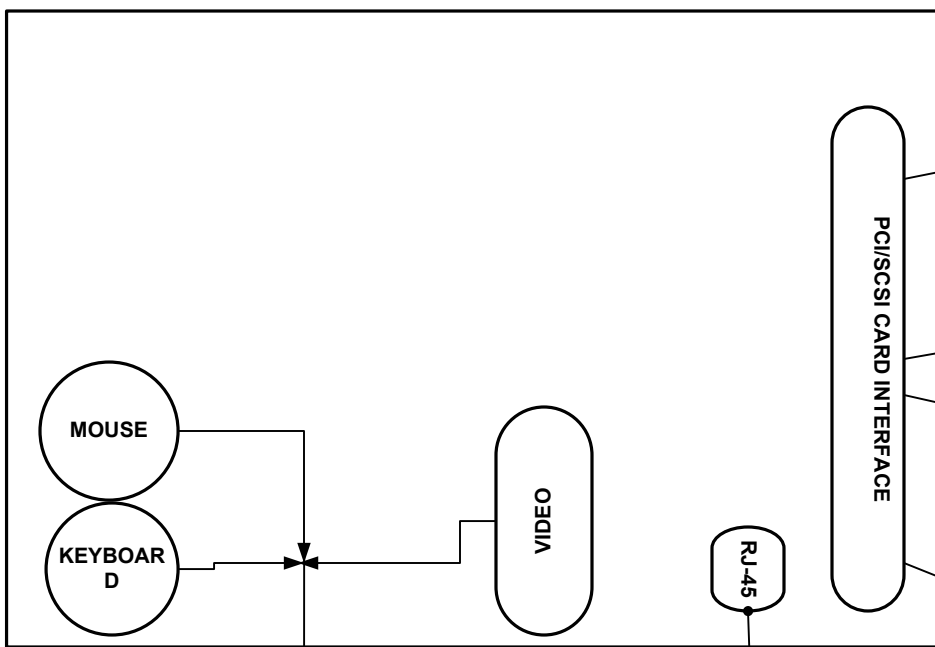


ADCP150mhz COMPUTER LAYOUT/ LOCATED IN COMPUTER LAB



(S1)
COM7 (Lava Quattro PCI Port B) TO THE ADCP150 DECK UNIT LOCATED IN IC NO GYRO via 9-PIN SERIAL CONNECTION

(S3)
COM8 (Lava Quattro PCI Port A) - NAV INPUT FROM THE PCODE GPS LOCATED IN THE SDN CABINET via 9-PIN SERIAL CONNECTION

(S2)
COM9 (Lava Quattro PCI Port D) - HEAVE/PITCH INPUT FROM THE ASHTECH 3D GPS UNIT VIA 9-PIN SERIAL CONNECTION TO THE SDN CABINET IN THE COMPUTER LAB. THE ASHTECH UNIT IS LOCATED ON THE BRIDGE AND IS FED DOWN TO THE SDN CABINET.

(S4)
COM10 NOT USED

KEYBOARD, MONITOR, MOUSE are located on desk next to the Blue Rack on the forward bulkhead of the Computer Lab

1000 MB Ethernet Switch located in the Blue rack on the forward bulkhead of the Computer lab



ADDITIONAL SYSTEM INFORMATION

THE **ADCP150** IS A RACKMOUNTED CPU LOCATED IN THE BLUE RACK ON THE FORWARD BULKHEAD OF THE COMPUTER LAB.

THE FOLLOWING EQUIPMENT IS INSTALLED:

- CD-RW WITH BURNER SOFTWARE
- 5-1/4 FLOPPY DRIVE
- CAT-5 ETHERNET CONNECTION
- 4 USB PORTS
- SCSI MULTI PORT DEVICE
- 2 SERIAL PORTS